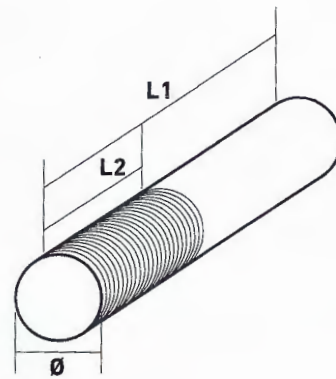


Tungsten-copper (Wcu)

Tapping electrodes orbital without flushing hole



Reference	Diameter (mm)	Length L1 (mm)	Thread metric	Length thread L2 (mm)	Hole for flushing
951-354-001	1.4	80	M2 (0.40 mm)	50	No
951-354-002	1.8	80	M2.5 (0.45 mm)	50	No
951-354-003	2.3	80	M3 (0.50 mm)	50	No
951-354-004	2.9	80	M4 (0.70 mm)	50	No
951-354-005	3.8	80	M5 (0.80 mm)	50	No
951-354-006	4.5	80	M6 (1.00 mm)	50	No
951-354-008	6	80	M8 (1.25 mm)	50	No
951-354-010	7.8	80	M10 (1.50 mm)	50	No
951-354-012	9.4	80	M12 (1.75 mm)	50	No
951-354-014	11.1	80	M14 (2.00 mm)	50	No
951-354-016	13.1	80	M16 (2.00 mm)	50	No
951-354-018	14.1	80	M18 (2.50 mm)	50	No

FISCHLI + FUHRMANN
(Pty) Ltd.
 11 LATHE ST. ISANDO
 TEL. (011) 974 5571/ 3
 FAX. (011) 974 5574
 info@fifu.co.za

P.O. BOX 253
 ISANDO 1600
 www.fifu.co.za