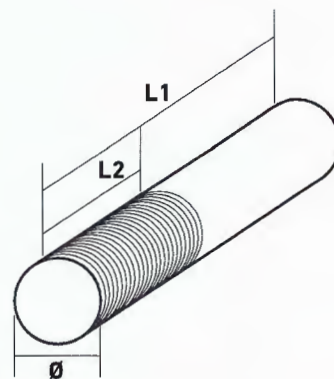


# Copper

Tapping electrodes orbital



Reference	Diameter (mm)	Length L1 (mm)	Thread metric	Length thread L2 (mm)	Hole for flushing
951-351-003	2.3	80	M3 (0.50 mm)	50	Yes
951-351-004	2.9	80	M4 (0.70 mm)	50	Yes
951-351-005	3.8	120	M5 (0.80 mm)	80	Yes
951-351-006	4.5	120	M6 (1.00 mm)	80	Yes
951-351-008	6	120	M8 (1.25 mm)	80	Yes
951-351-010	7.8	120	M10 (1.50 mm)	80	Yes
951-351-012	9.4	120	M12 (1.75 mm)	80	Yes
951-351-014	11.1	120	M14 (2.00 mm)	80	Yes
951-351-016	13.1	120	M16 (2.00 mm)	80	Yes
951-351-018	14.4	120	M18 (2.50 mm)	80	Yes

**FISCHLI + FUHRMANN**  
(Pty) Ltd.  
 11 LATHE ST. ISANDO  
 TEL. (011) 974 5571/ 3  
 FAX. (011) 974 5574  
 info@fifu.co.za

P.O. BOX 253  
 ISANDO 1600  
 www.fifu.co.za